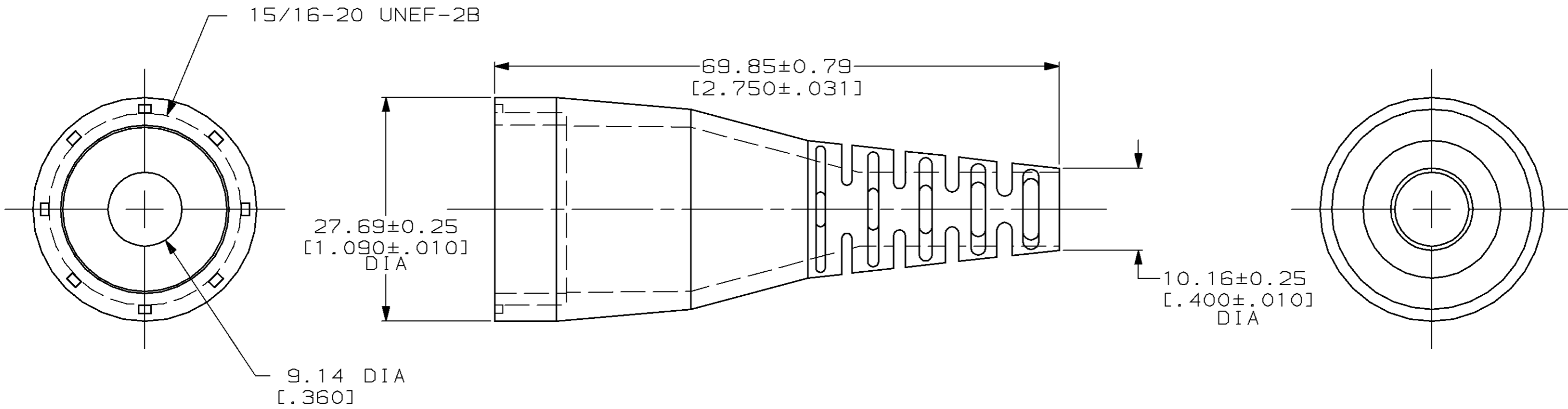


THIS DRAWING IS UNPUBLISHED. RELEASED FOR PUBLICATION, 19  
 © COPYRIGHT 19 BY AMP INCORPORATED. ALL INTERNATIONAL RIGHTS RESERVED.

MOD	LOC	DIST	P	F	ZONE	LTR	DESCRIPTION	DATE	APPD
4	BD	35				C	REDRAW W/O CHANGE PER EC 0020-600-94	07/29/94	AF



1. CABLE RANGE 5.08 [.200] - 6.35 [.250] WHEN USED WITH GRIPPER P/N 207387-1.
2. CABLE RANGE 6.35 [.250] - 8.89 [.350] WHEN USED WITH GRIPPER P/N 207387-2 OR 207387-4.

207241-1

PART NO

DO NOT SCALE PRINT, UNLESS SPECIFIED  
 DIMENSIONS IN mm [INCHES]  
 TOLERANCES ON:  
 2 PLC DEC ± 0.13 [.005]  
 3 PLC DEC ± -  
 ANGLES ± -

MATERIAL  
 THERMOPLASTIC  
 COLOR: BLACK

FINISH -

DR	07/29/94
	M.BINNER
CHK	8-8-94
	R.STONE
APPD	8-9-94
	A.FRANTUM
APPD	8-9-94
	A.FRANTUM
PRODUCT SPEC	-
APPLICATION SPEC	-
WEIGHT	-

**AMP** AMP Incorporated  
 Harrisburg, PA 17105-3608

NAME  
 CABLE BOOT, FLEXIBLE,  
 SIZE 17, CPC

SIZE	CAGE CODE	DRAWING NO
B	00779	C-207241
SCALE	SHEET	
2:1	1 OF 1	

THIS DRAWING IS A CONTROLLED DOCUMENT FOR AMP INCORPORATED. IT IS SUBJECT TO CHANGE AND THE CONTROLLING ENGINEERING ORGANIZATION SHOULD BE CONTACTED FOR THE LATEST REVISION.